

WeWash

WeWash Care checklist checklist with partner installation

For a smooth installation process, please follow this checklist step by step.

1. Contract

- Contract signing:** All the relevant contract documents have been fully signed and have been submitted to both parties.

2. Connections

- Power, water supply and drainage connections:** According to the necessary infrastructure (see A1 pages 1, 2 and 3) available.

3. Connection of the Mobile Communication Box and preparation of the laundry room

- Materials:** Received DHL package.
- Drilling for the Mobile Communication Box (MCB):** For the drilling of the holes, please use the drilling template for the Mobile Communication Box (dimensions 167 mm x 190 mm). Further information, e. g. on the position, can be found in A2.
- Drilling for additional WeWash Boxes:** Holes for the WeWash boxes drilled according to the indicated positions (see A3). In your blue installation folder you will find a special drilling template for the WeWash boxes (dimensions 350 mm x 190 mm).
- Mobile Connection Box installation:** Wall mounting for the MCB as well as the external antenna and antenna cable. MCB plugged in and left permanently connected to the power supply until the appliances are installed. We check the reception quality in your laundry room during this time.
- Photos:** Pictures of the prepared laundry room, on which the drilling holes of the WeWash Boxes, the MCB and the power/water connections are clearly visible, are taken and sent to installation@we-wash.com. Only then is the appliance delivery booked.

4. Appliance delivery

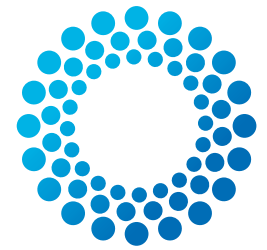
- Appointment scheduling:** Our logistics service provider scheduled a delivery appointment directly with you.
- Water connections:** Our logistics service provider was familiarised with the laundry room and removed the appliance(s) from their packaging at the installation location and connected the water supply and drainage of the washer(s) and the drainage hose for each dryer.
- Wall mounting:** WeWash boxes were mounted by our service provider at the pre-drilled points above the respective installation location of the appliance.

5. Start-up

- WeWash Boxes:** Solid blue LED(s) on the WeWash Box(es).
- Test runs:** Each washer / dryer has been started for a test run by our service provider. After the selected program has been successfully completed, the appliances are visible for reservation in the WeWash App. (A delay of 10-20 minutes is possible.)
- Informational material:** Laundry room poster hung up visibly in laundry room.
- User flyer:** Materials distributed via residents' letter boxes.

Do you have any questions?

Please call us at +49 89 740 55 44 30



WeWash

Infrastructure

Prerequisite for a successful installation

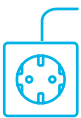
Reception in your laundry room



Mobile phone reception: Required for the operation of the WeWash system. In exceptional cases there may be no reception in the laundry room. WeWash will then provide you with a longer antenna cable to fix the white antenna in an area with reception (e.g. in front of a window, light shaft, external area).

Power supply

Surface mounted socket(s)



Schuko sockets: Every appliance installation site must have a surface-mounted wall socket for humid areas. In addition, one socket is required per laundry room for the Mobile Communication Box. The sockets for the appliances must be accessible to users to be able to disconnect the WeWash Boxes and thus the appliances from the mains in the event of damage. The positions are specified on the following page.



Type F (for all countries except Switzerland (Type 13))

Water supply for washer(s)



Cold water supply: Each washer requires a closing cold water outlet with a 3/4" male thread (flat-sealing). The exact position is specified on the next page.



Waste water connection for washer(s) and dryer(s)

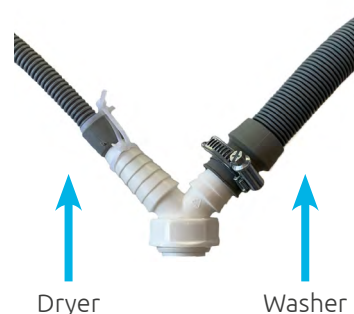


Drainage: The exact position is specified on the next page.

Dryer: The hose nozzle of the dryer has a diameter of 8 mm.

Y connector: Alternative, if there is only one drainage connection for two appliances.

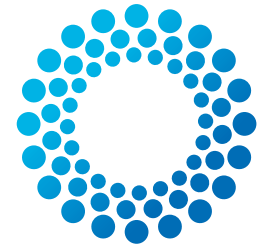
Washer: The hose nozzle of the washer has a diameter of 20 mm.



Environmental conditions



Please ensure sufficient ventilation of the laundry room. At constantly high ambient temperatures (from approx. 27° C), the dryers may not function properly (e.g. significantly longer running times).

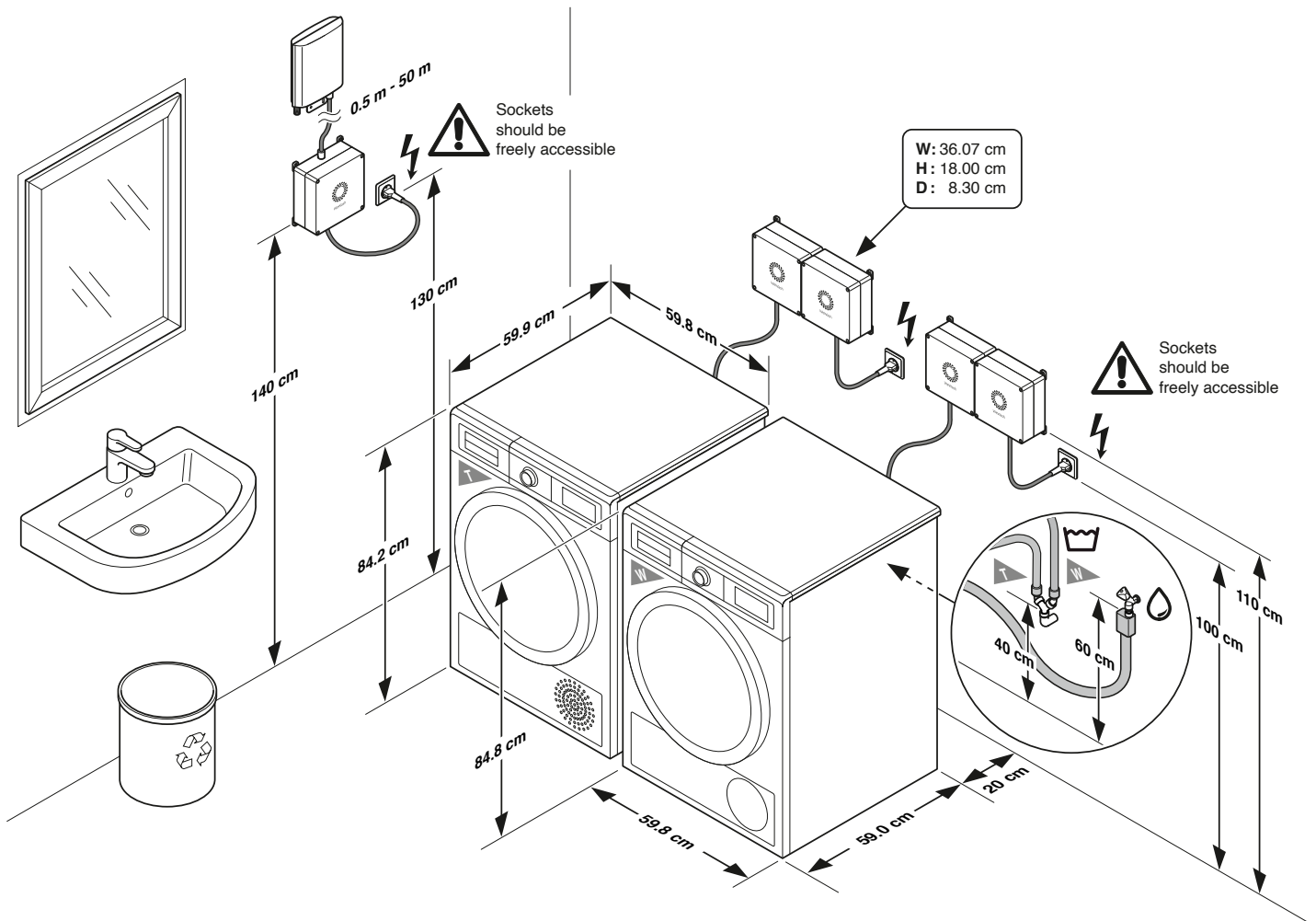


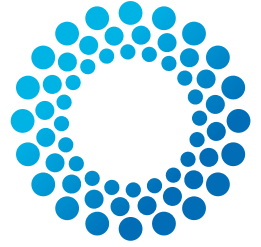
WeWash

Infrastructure

Example of standard laundry room

This plan shows the necessary infrastructure with the exact alignment of individual connections, which is necessary for the optimal installation of appliances, Mobile Communication Box and WeWash Boxes.





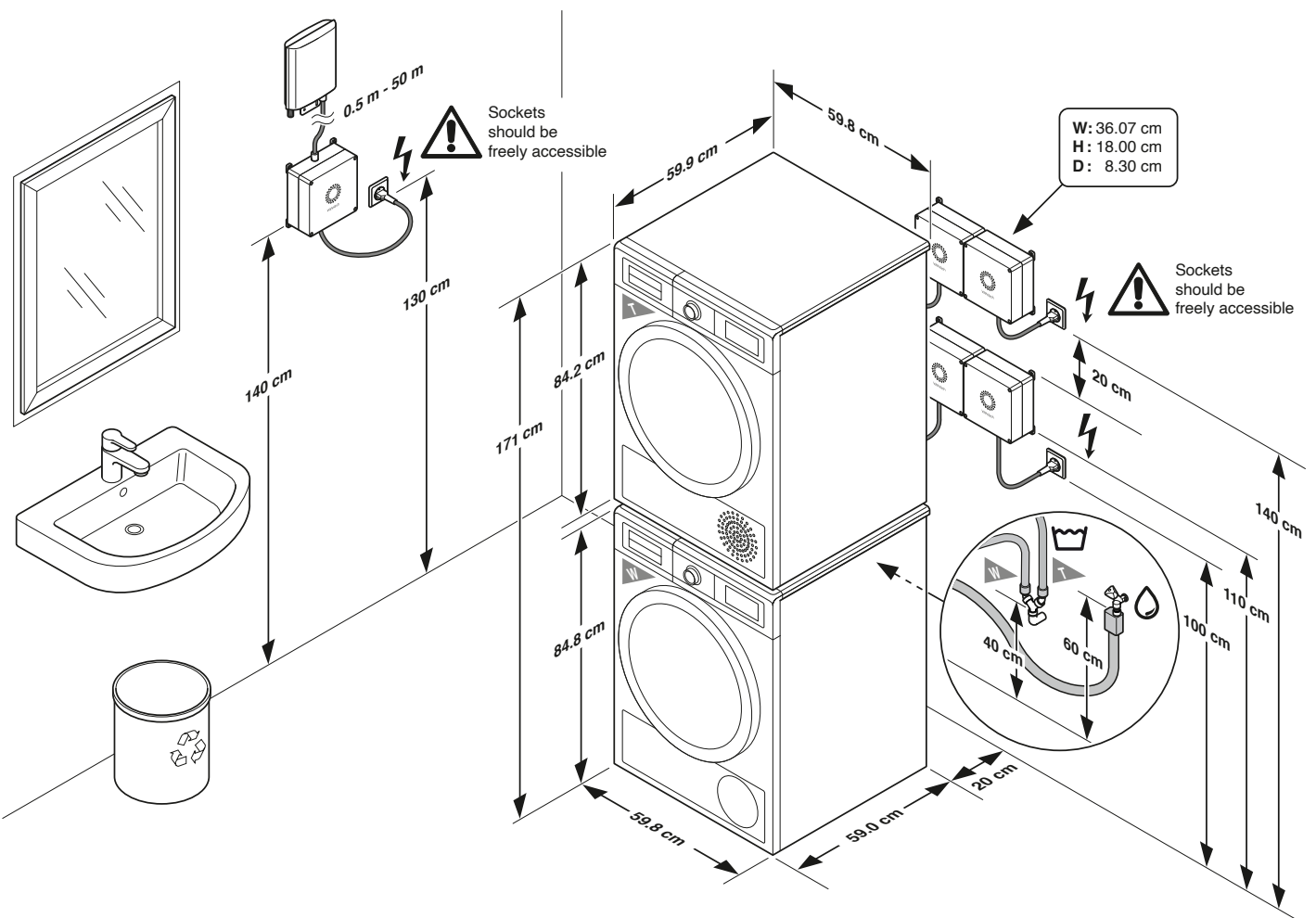
WeWash

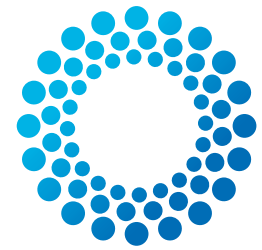
Infrastructure

Example laundry room with stacking (exceptional case)

Please note that the standard laundry room is not shown here. Stacking of appliances is only offered in exceptional cases and only after consultation with WeWash.

This plan shows the necessary infrastructure with the exact alignment of individual connections, which is necessary for the optimal installation of appliances, Mobile Communication Box and WeWash Boxes.

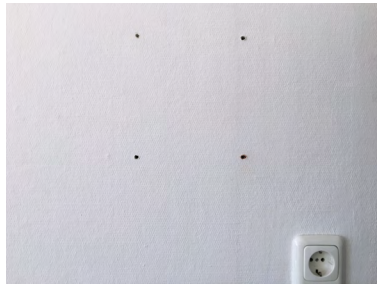
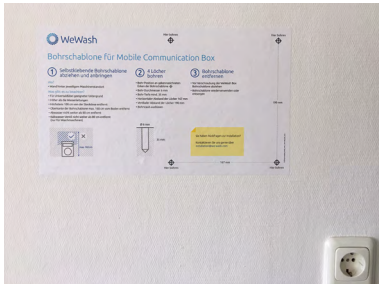




Installation instructions Mobile Communication Box (MCB)

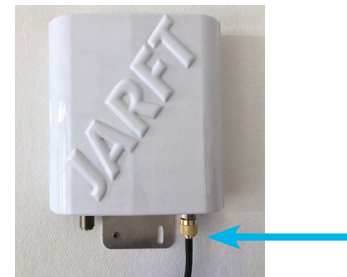
1. Installation of the Mobile Communication Box in the laundry room

- Drill four holes and mount the MCB on the wall: see Mobile Communication Box drilling template specification.
- Position and orientation of the MCB: see A1 page 2.



2. Wall mounting and orientation of the external antenna

You will also receive an external antenna for the Mobile Communication Box to improve reception. Please install this as follows:



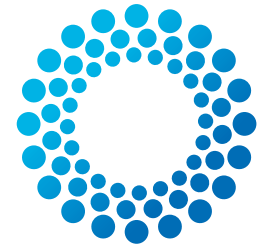
- Remove the black cap of the antenna connection on the Box by gently turning / pulling.
- Screw the thin antenna cable to the Box, affixing the thicker end of the antenna cable to the antenna itself.
- The antenna should be positioned so that the signal is as unobstructed as possible (not directed at the floor), or in the best-case scenario, in the direction of a window or light shaft.
- Please mount the antenna on the wall.

Should there be no reception at all in the laundry room, the antenna must be moved to an area with reception. If you need a longer antenna cable to do this, please contact installation@we-wash.com



3. Plugging in the MCB

Please plug the MCB into the socket after installation and leave it plugged in until the appliances are delivered. During this time, we automatically check the reception quality in the laundry room.



WeWash Box preparation for appliance delivery

1. Preparation of the wall mounting for the WeWash Boxes delivered with the appliances.

Drill four holes per box in the wall as indicated by the drill template found in your blue installation folder, 35 mm deep.

Please observe the following points when drilling:

- Each appliance has a WeWash Box.
- The exact positioning of the WeWash Boxes can be found in A1 on page 2.
- Each WeWash Box will be affixed to the wall above the appliance installation location by our service provider and plugged into the wall socket(s).



2. Feedback to WeWash

For confirmation, please send a photo of all pre-drilled holes, as well as the installed MCB and the existing power/water connections to installation@we-wash.com. Only then will the appliance delivery be booked.